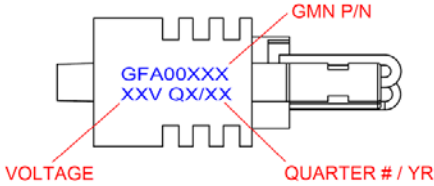
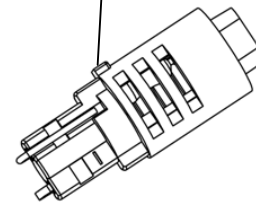


Part Number	Specification	Identification
GFA00308	5mm, 12v, 470 Ohms, Warm White	 <p>VOLTAGE</p> <p>GMN P/N</p> <p>QUARTER # / YR</p>
GFA00372	5mm, 12v, 470 Ohms, Cool White	
GFA00418	5mm, 3.3v, 0 Ohms, Warm White	
GFA00419	5mm, 6.3v, 187 Ohms, Warm White	
GFA00637	5mm, 6.3v, 187 Ohms, Cool White	
GFA00390	5mm, 12v, 470 Ohms, RED	
GFA00428	5mm, 12v, 604 Ohms, Pink White	
GFA00306	5mm, 12v, 470 Ohms, BLUE	

Polarity identifier – tab on moulding indicates positive terminal



**GAMESMAN LTD**  
 CROMPTON FIELDS, CROMPTON WAY, CRAWLEY, WEST SUSSEX, RH10 9QB  
 TEL: +44 (0) 1293 418888 FAX: +44 (0) 1293 418880  
 REGISTERED IN ENGLAND NO. 3027138  
 Website: [www.gamesman.co.uk](http://www.gamesman.co.uk) - E-mail: [sales@gamesman.co.uk](mailto:sales@gamesman.co.uk)

**Disclaimer:**

The information provided within this product specification is intended only to make the reader aware of the product's technical data and its use thereof. As such, Gamesman Ltd shall not be held liable for any loss or damage to the assembly or component within, arising from its misuse or from the unintended use of information or particulars included within, or any omission from, this document. Design and specifications are subject to change without notice. Failure to observe the interface requirements specified in this document may result in damage to the electronics and resultant performance characteristics of the product.