



Gamesman

GPB1105 Push Button Product Specification

Issue 01: Date 06.09.2011



Disclaimer:

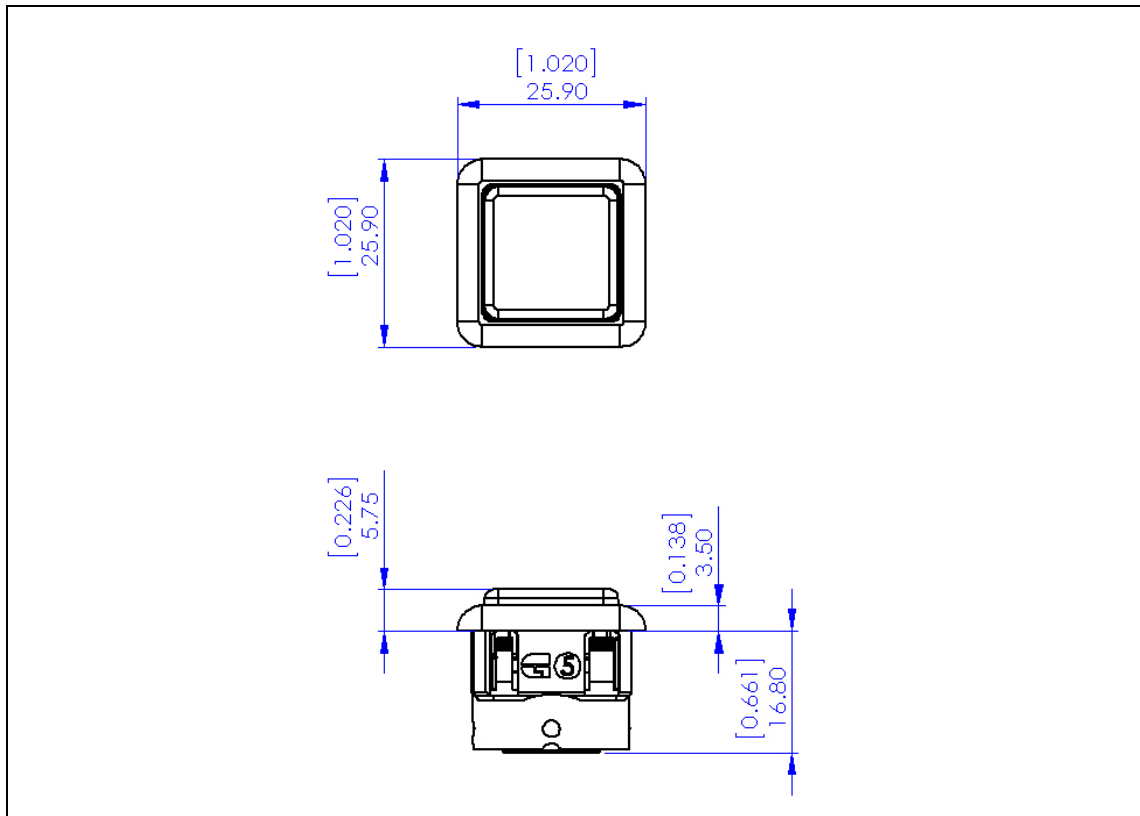
The information provided within this product specification is intended only to make the reader aware of the product's technical data and its use thereof. As such, Gamesman Ltd shall not be held liable for any loss or damage to the assembly or component within, arising from its misuse or from the unintended use of information or particulars included within, or any omission from, this document.

Design and specifications are subject to change without notice.

Failure to observe the interface requirements specified in this document may result in damage to the electronics and resultant performance characteristics of the product.

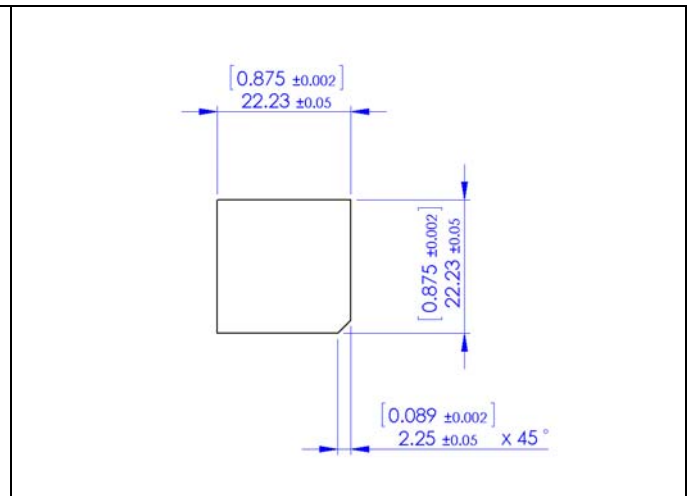
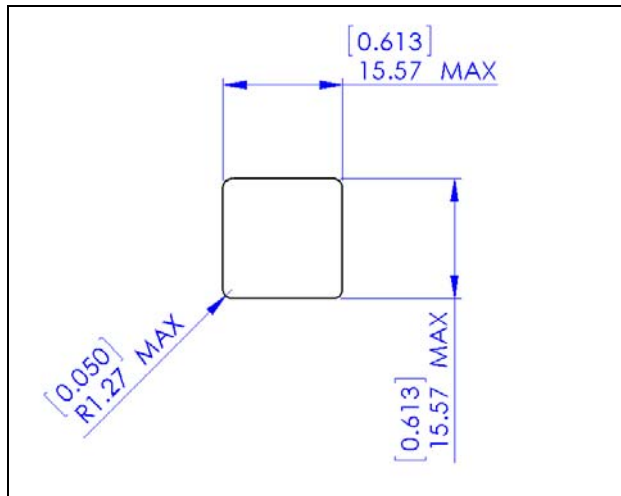
1. Product Dimensions

a) General Dimensions



b) Insert Dimensions

c) Panel Cut out Details



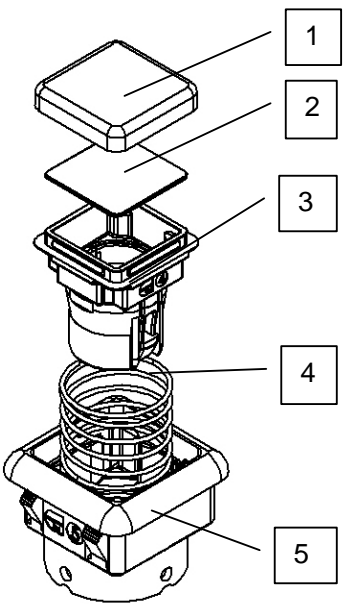
Insert Material - Acetate sheet or similar.

Panel thickness range:

Insert Thickness – 0.20mm [0.008"] Minimum – 0.25mm [0.010"] Maximum

1.40mm [0.055"] ± 0.1mm [±0.004"] to 2.00mm [0.079"] ± 0.1mm [±0.0042]


2. Product Identification

	No.	Part Number	Description	Material	UL94 Rating
	1	GMP01164	Lens	Polycarbonate	V2
	2	GMP01163	Legend Plate	Opal Polycarbonate	V2
	3	GMP01162	Plunger	POM	HB
	4	G4-950	Spring	Spring Steel	N/A
5	GMP01161	Bezel	Polycarbonate See Note 1.	V2	

Item 5 is available in various colours, see specification sheet for the options.
Minimum Order Quantities may apply.

3. Product Compatibility

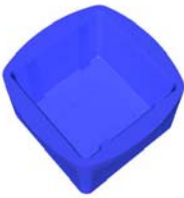
a) Switch System –

System U3	
---------------------------	---

b) [LED Solutions](#)

Volts	Ohms	Colour
12v	470ohm	White
12v	470ohm	Red
12v	390ohm	Blue
12v	604ohm	White
6.3v	187ohm	White
3.3v	0ohm	White

4. Accessories

<p>Extraction Tool for Button Order Part Number G4-1159</p>	
---	--



GAMESMAN LTD
CROMPTON FIELDS, CROMPTON WAY, CRAWLEY, WEST SUSSEX, RH10 9QB
TEL: +44 (0) 1293 418888 FAX: +44 (0) 1293 418880

REGISTERED IN ENGLAND NO. 3027138

Website: www.gamesman.co.uk

E-mail: sales@gamesman.co.uk